

YOUR PARTNER IN PACKAGING



MINI LABELLER

SEMI AUTOMATIC LABELLING MACHINE

Mini Labellers offer small scale packaging operations with unparalleled flexibility to handle a wide range wrap around and panel label types.

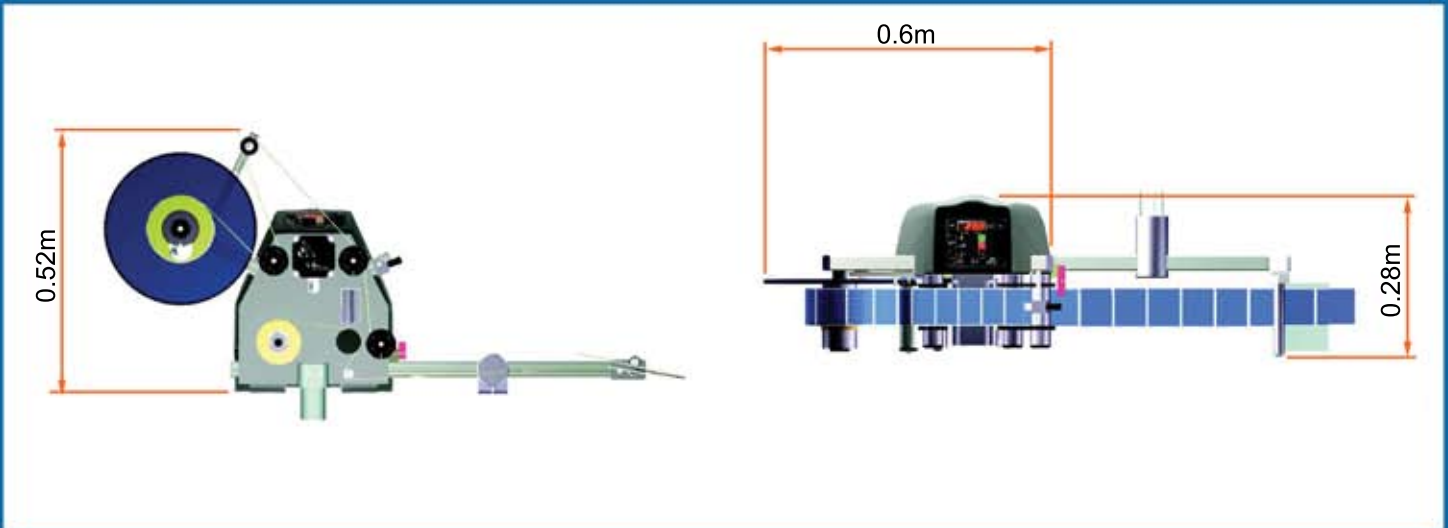


MACHINE FEATURES

- Easy to operate integrated control panel with label web and mini conveyor speed controls.
- Suitable for a wide range of cylindrical and panel labelling applications.
- Mini belt conveyor or three roller label applicator to suit cylindrical or rectangular products.
- Stepper motor drive for fast and accurate labelling.
- Opaque label detection as standard.
- Easily adjustable label pre-dispensing and label positioning.
- Optional full IQ/OQ Validation support package
- Hygienic design using FDA approved materials
- Suited for benchtop operation.



YOUR PARTNER IN PACKAGING



TECHNICAL SPECIFICATION

Dispensing Speed:	Up to 10 metres per minute.
Spool Diameter:	46mm or 76mm
Maximum Label Size:	250mm x 195mm wide
Control System:	Integrated Controller
Drive System:	Stepper Motor
Build Standard:	cGMP, CE marked in accordance with Machinery Directive 2006/42/EC
Power Requirements:	220/240v 50Hz 1Phase
Pneumatic Requirement:	4 bar filtered and dried
Nett Weight:	30Kg

OPERATION

The Mini Labeller is operated using a simple control panel. Once the machine has been adjusted for the required product, bottles or rectangular containers are placed manually onto either a mini belt conveyor or into a three roller label applicator. Rectangular containers travelling along the conveyor pass a sensor which triggers the labelling head to dispense one label. For round bottles a push button is pressed to start the operation.

Once the leading edge of the dispensed label has been tacked onto the bottle it is applied as it passes under a brush assembly. In the case of round bottles the pneumatically actuated wrap around roller assembly rotates to apply the label with optimum concentric placement.